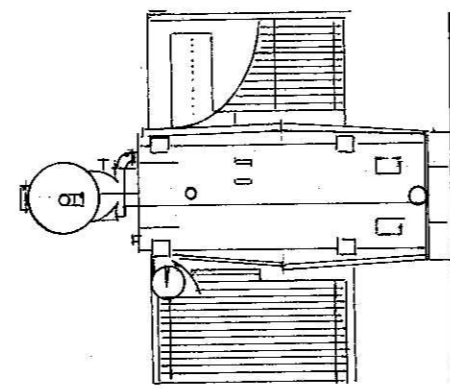
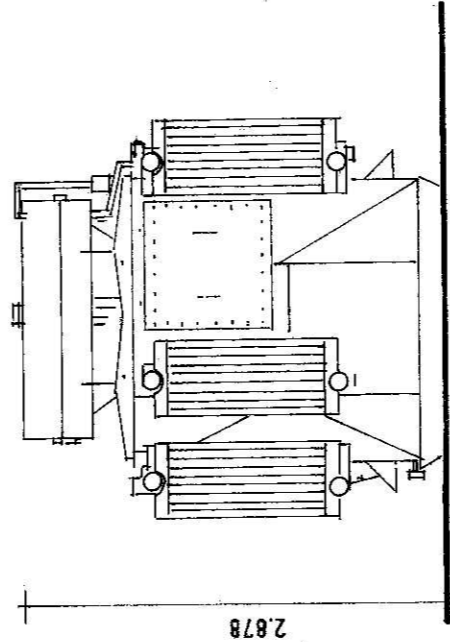


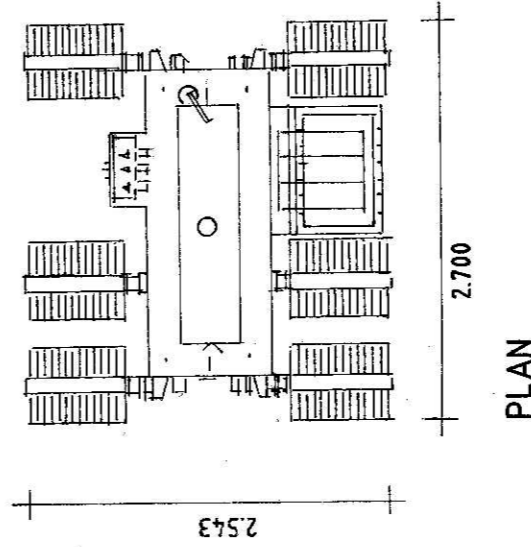
SWITCHGEAR TRANSFORMER



END ELEVATION (HANDED)



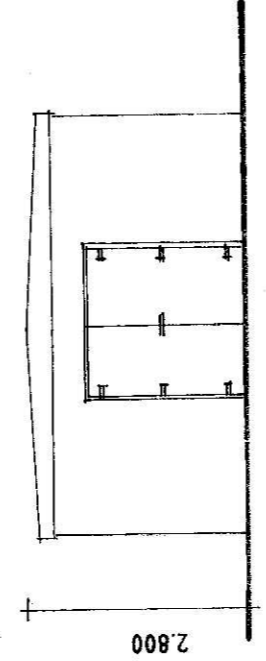
SIDE ELEVATION (HANDED)



PLAN

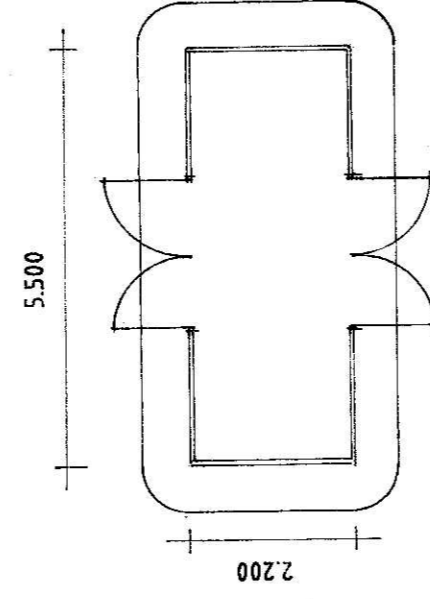
GENERATOR TRANSFORMER (A) 1:50

GAS CABINET (B) 1:100



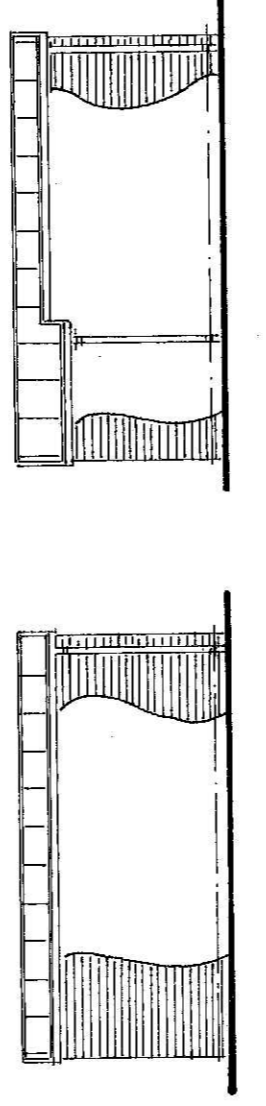
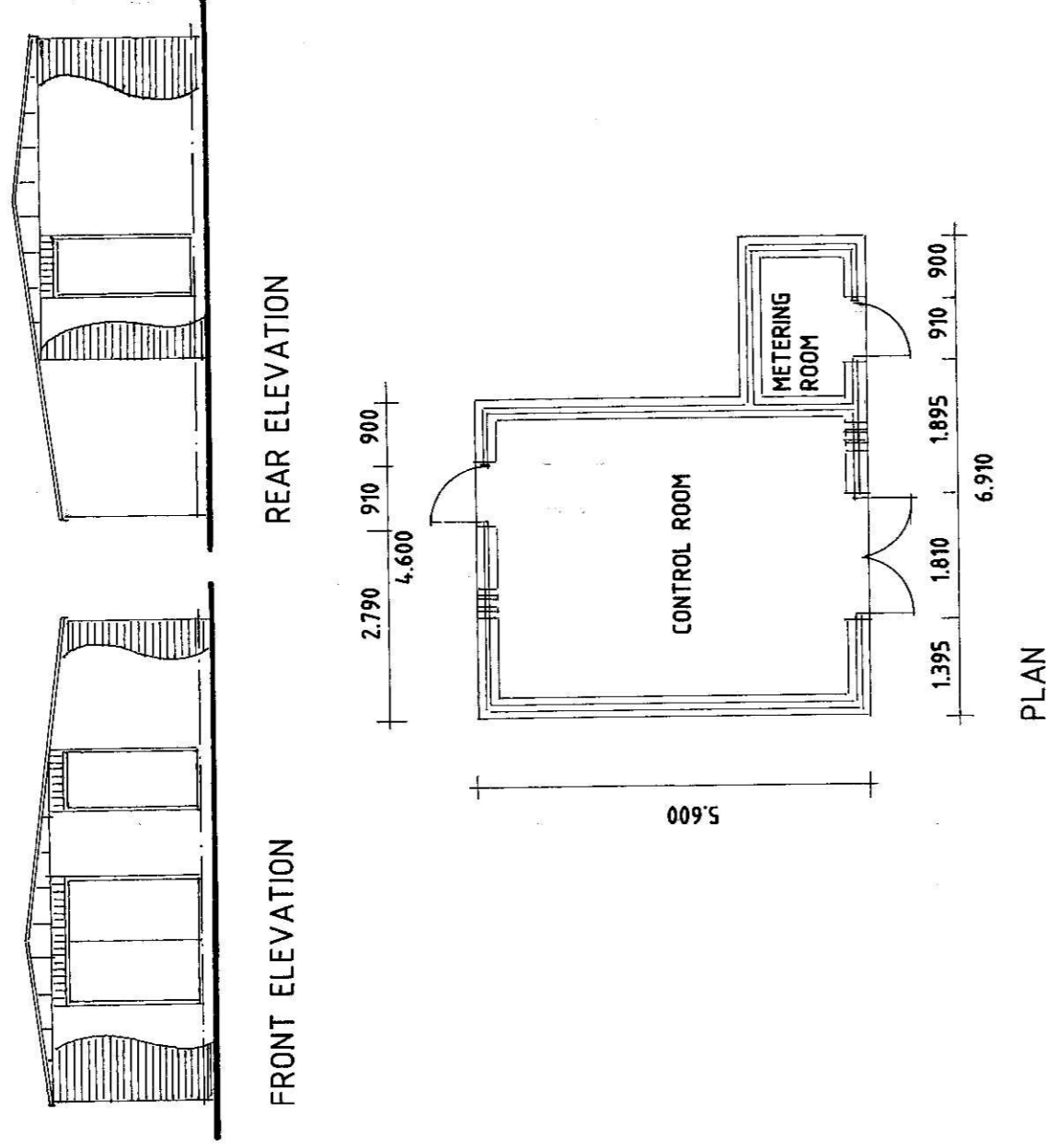
SIDE ELEVATION (HANDED)

FRONT / REAR ELEVATION



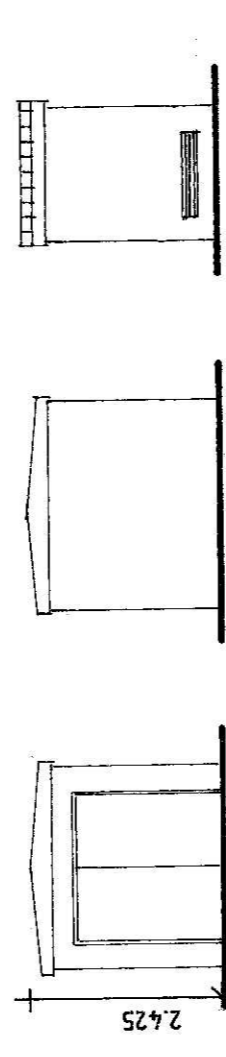
PLAN

GRP SUB STATION UNIT (D) 1:100



SIDE ELEVATION

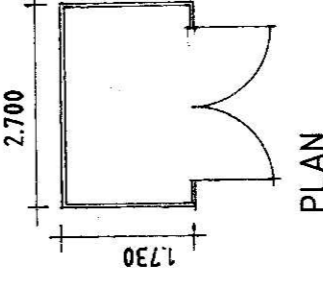
BRICK SWITCHROOM (C) 1:100



FRONT ELEVATION

REAR ELEVATION

SIDE ELEVATION



PLAN

PROJECT

GENERATOR COMPOUND DETAIL
DETAIL SHEET

CHRISTOPHER R STONE MCIAT LTD
CHARTERED ARCHITECTURAL TECHNOLOGIST

The Design Studio
Homeleigh • Stamford Road • Mickleton • Gloucestershire • GL15 6SR
Tel: 01386 438928 • Fax: 01386 438920
Email: chris@christopherstonemciat.com

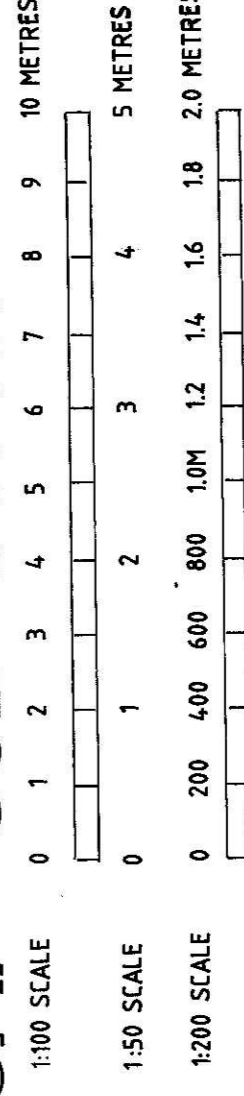
PROJECT

TITLE

VARIOUS

REVISIONS

A 10/08/16 SWITCHGEAR CONTAINER ADDED



SCALE	DATE	NORTH
1:50, 1:100	07/16	
JOB No.	DRG No.	REV No.
DS	05	A

This drawing must not be scaled. All dimensions must be checked on site before commencing work or preparing shop drawing. Any errors or discrepancies must be brought to the Designer's attention.